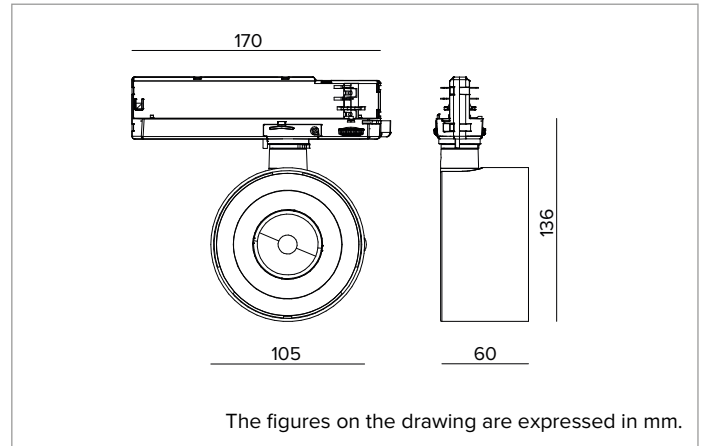


T041FLL940ELPW | ZENO 105

Professional adjustable LED projector



	4000K	H(m)	D(m)	Emax(lx)		
	Ra90		31°			
	Fixture Power	19W	1	0.56	6426	
	Source Flux	2430lm	2	1.12	1606	
	Fixture Flux	2064lm	3	1.68	714	
	Efficacy	109lm/W	4	2.24	402	
TS1927	Imax=2644cd/klm	Imax	6426cd	5	2.80	257



SOURCE

High efficiency Chip on Board LED Ra90. Ra97 on request.

Energy efficiency class: E

Nominal power: 17W

Nominal flux: 2430lm

Colour rendering index: 90

Rf: 90

Rg: 98

CCT nominal: 4000K

Lifetime (L80/B10): >50000h tq +25°C

ILLUMINOTECHNICAL CHARACTERISTICS

Flood version with optical grade PMMA TIR lenses.

Optic: LENS

Beam angles: FL

Optical efficiency: 85%

Fixture flux: 2064lm

Luminous efficacy: 109lm/W

Photobiological safety: Compliant with RG1 low risk group

MECHANICAL CHARACTERISTICS

Die-cast painted aluminium body. The optical unit can be adjusted from 0 to -90° on the vertical plane; and 355° on the horizontal plane with aiming blocking system.

Colour and finish: Plaster white

Weight: 0.8Kg

Degree of protection: IP20

ELECTRICAL CHARACTERISTICS

ON-OFF electronic driver integrated into the track adapter.

Fixture Power: 19W

Power supply: 220-240Vac 50/60Hz

Insulation Class: CLASS 2

Type of driver / Control: ON-OFF

Driver included: YES

Class F: YES

Ambient temperature: 0°C / +25°C

INSTALLATION

Electrified track mounting. Mechanical and optic accessories available, to be installed with holder ring (necessary).

NOTES

110-277Vac version available on request.

WARRANTY

5 years.

WARNING

Luminaire designed for disposal/recycling at end-of-life. Replaceable (LED only) light source by a professional. Replaceable control gear by a professional.

Due to the technological evolution of the electronic components, the data provided may be updated, and as such, confirmation must be requested during the order process.

Luminous flux and power supply have +/-10% tolerances with respect to the indicated value. tq +25°C (CIE 121).

We reserve the right to make technical changes.

Targetti Sankey S.r.l.
Via Pratese, 164
50145 Firenze - Italy
Tel: +39 055 37911
targetti.com
targetti@targetti.com

CCIAA Firenze
Share Capital:
€ 500.000,00
VAT N. (IT):
01537660480
R.E.A: FI-275656

TARGETTI

T041FLL940ELPW | ZENO 105
Professional adjustable LED projector

Accessories

Filter



Code

1T6572

Blade of light filter.
Methacrylate holographic filter.
This makes the beam take on an oval shape and when combined with spotlights, the light blade appears more prominent.
To be completed with a dedicated holder ring.

Grid



Colour

Code



1T6573

Anti-glare louver.
Black lacquered aluminium honeycomb structure.
To be completed with a dedicated holder ring.

Cut-off



Colour

Code



1T6574

Black painted steel cut-off.
To be completed with a dedicated holder ring.



Colour

Code



1T6575

Black painted steel asymmetric cut-off.
To be completed with a dedicated holder ring.

Ray Shade



Colour

Code



1T6576

Adjustable barn doors flaps made of black painted steel.
To be completed with a dedicated holder ring.

Holder Ring

Colour

Code



1T6571

Black painted aluminium accessory holder ring.

Bracket



Colour

Code



A058PW



A058DB

Rigid support bracket for projectors with Eurostandard Plus track attachment.
For compatibility and use please refer to the assembly instructions for the projectors.
For installation of Zeno 105 projectors on wall vertical tracks.

*Due to the technological evolution of the electronic components, the data provided may be updated, and as such, confirmation must be requested during the order process.
Luminous flux and power supply have +/-10% tolerances with respect to the indicated value. tq +25°C (CIE 121).*

We reserve the right to make technical changes.

Targetti Sankey S.r.l.
Via Pratese, 164
50145 Firenze - Italy
Tel: +39 055 37911
targetti.com
targetti@targetti.com

CCIAA Firenze
Share Capital:
€ 500.000,00
VAT N. (IT):
01537660480
R.E.A.: FI-275656

